

## Probe and Plug Pressure Provers

### Application

For fast, on-location, pressure checks. Use on wellheads, on flow lines and on pressure vessels, or wherever repetitive pressure readings are taken.

### Features

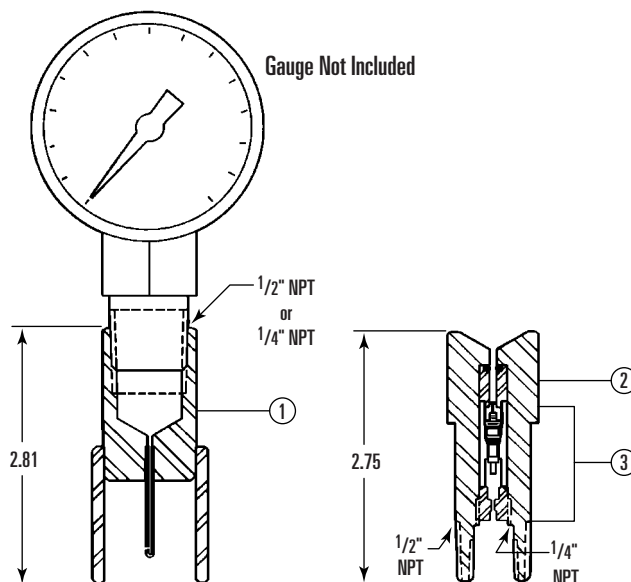
- Stainless Steel Materials
- Eliminates the Requirement of Multiple, On Site, Expensive Gauges
- Field Repairable Plug Repair Kit
- No Special Tools Required for Repair
- 5000 psi Working Pressure

### How To Order

Pressure Prover	Part No.	Model No.
PLUG ASSEMBLY	30317	M50F25SS
PROBE ASSEMBLY (1/2")	30316	F50SS
PROBE ASSEMBLY (1/4")	30332	F25SS

### Parts List

Item	Description	Part No.
1	PROBE (COMPLETE)	30316
2	PLUG BODY	20582
3	PLUG REPAIR KIT	30318



## LevelGlas

### Application

For use with in-line level control connections in order to show visual liquid level over a small area, or wherever small area visual sight of liquid is required.

### Specifications

#### Materials

- Body ..... Stainless Steel
- Lens ..... Lexan®
- O-Ring ..... Buna-N
- Temperature ..... 180°F Maximum
- Working Pressure ..... 3000 psi Maximum @100°F
- Process Connection ..... 2" NPT Screwed,  
1 1/2" NPT Screwed, 1" NPT Screwed



### How To Order

Example Given: LG2TL

Description	Code
SERIES "LEVELGLAS"	LG
Process Connection	Code
2" NPT SCREWED	2T
1 1/2" NPT SCREWED	15T
1" NPT SCREWED	1T