

# W1392V Vapor Relief Valve

## Application

This WellMark Relief Valve is for the control of vapor emissions. It can be used on glycol dehydrator reboilers to meet EPA standards, or any situation where pressure in ounces is to be controlled.

## Features

- All Stainless Steel Internals
- Viton® Seals
- Field Adjustable
- Zinc Dichromate-Plated Externals

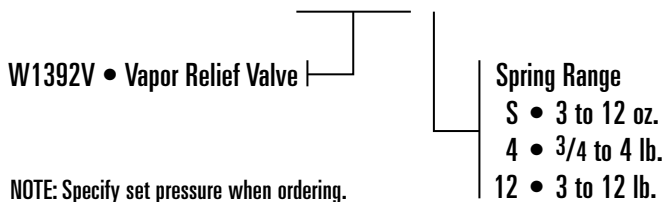
## Specifications

Process Connection	.....	2" x 2" NPT
Gauge Connection	.....	1/4" NPT
Temperature	.....	400°F
Pressure Setting	.....	3 oz. to 12 lb.
Orifice	.....	1 5/8" Diameter
Spring Range	.....	3 to 12 oz. 3/4 to 4 lb. 3 to 12 lb. Non-Code

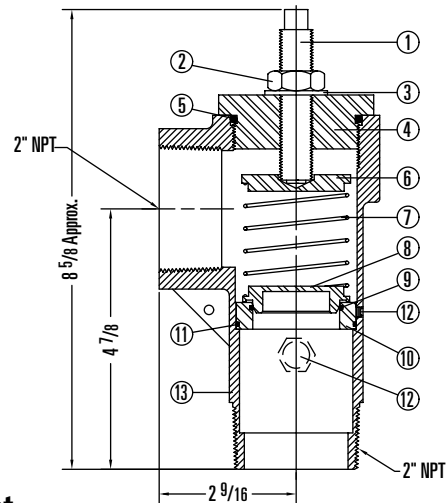
## Determining the Model Number

Example given: Standard Model W1392V-S Vapor Relief Valve with 3 to 12 oz. Spring Range, Set at 8 oz.

### MODEL W1392V-S



## Dimensional Data



## Parts List

Item	Description	Qty.	Part No.
1	ADJUSTMENT SCREW, STEEL	1	10173
2	JAM NUT, STEEL	1	10174
3	SEAL WASHER, STEEL	1	10578
4	CAP, STEEL	1	20623
5	O-RING, VITON®	1	10381
6	SPRING GUIDE, STAINLESS	1	20622
7	SPRING, 3-12 OZ., STAINLESS	1	10610
	SPRING, 3/4-4 LB., STAINLESS	1	10680
	SPRING, 3-12 LB., STAINLESS	1	10746
8	PLUG, STAINLESS	1	20620
9*	O-RING, VITON®	1	10380
10	SEAT, STAINLESS	1	20621
11*	SEAT O-RING, VITON®	1	10611
12	SET SCREW, STEEL	1	10485
13	BODY, DUCTILE	1	30360
14	BONNET (NOT SHOWN), PLASTIC	1	10175
15	SEAL WIRE (NOT SHOWN)	1	10178
16	NAME PLATE (NOT SHOWN)	1	10076B
17	DRIVE SCREWS (NOT SHOWN)	1	10075
18	PLUG, STEEL	1	10149

\*Recommended Spare Part