

LB Line Blinds

Application

The LB Series Line Blinds are used when there is a requirement or need for two distinctly different fluids to flow through a common line at different times. The most common use is to keep water and carbon dioxide (CO₂) separate in an injection system. This product is also used in the marine industry, power generating plants, natural gas plants, and liquid storage terminals.

Features

- Simple and Easy to Use Gating Design
- Spreader Bolts Come Std. with Lube Fittings
- Teflon® Packing Rings, Positive Seal
- Quick and Safe Flow Transfer Bleed Ports, Std.
- Two External Pins for Positive Alignment

NOTE: All Line Blind spreader flanges come standard with thread inserts (helicoil screw thread inserts). The purpose is to increase thread-life after repeated operation. Their design eliminates erosion of the thread due to friction.

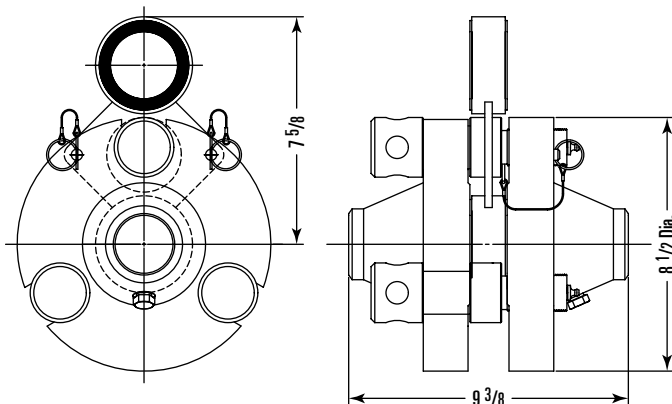
Specifications

Size 1" and 2"
 Connections Flanged (RF or RTJ), Butt-or Socket-Weld
 Type 2-Way In-Line or 3-Way Tee
 Working Pressure to 3600 psi
 Materials

Tee Body CF8M
 Spreader Flange CF3M or CF8M
 Slotted Flange CF3M or CF8M
 Spreader Bolts B7 or B7M
 Gate 316 S.S.
 Packing Ring Teflon®

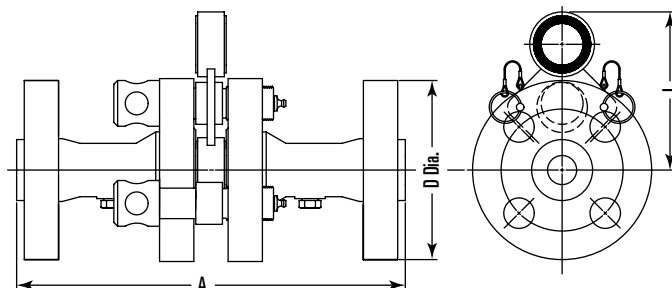


Dimensional Data 2-Way Line Blinds



Dimensions 2" Butt-Weld Line Blind

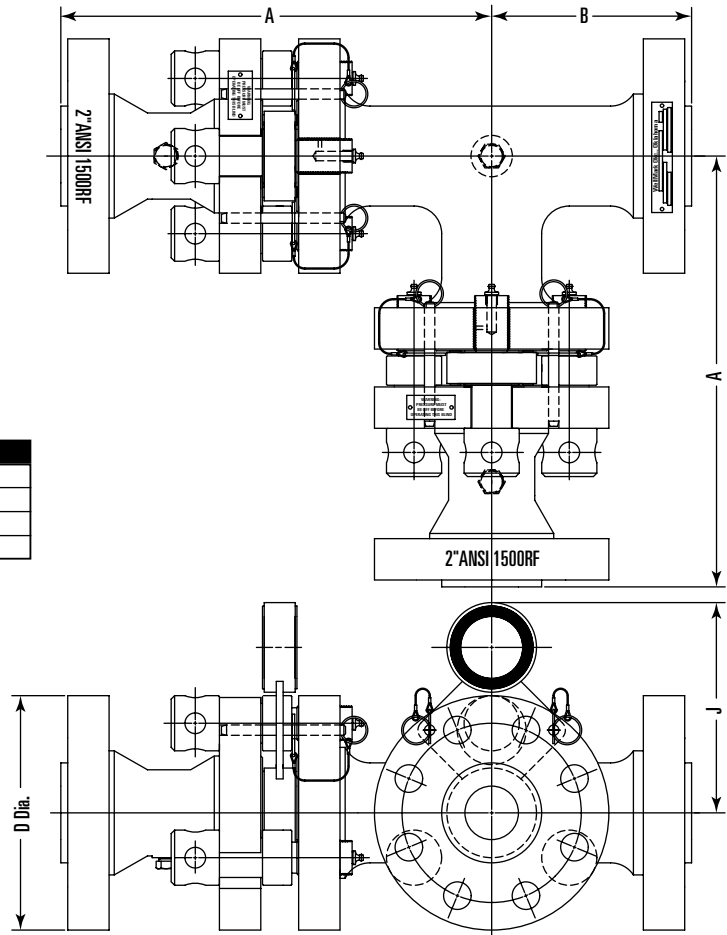
Size/ANSI	A	D	J
1"-1500RF	12 3/4"	5 7/8"	5 3/16"
1"-1500RTJ	12 3/4"	5 7/8"	5 3/16"
2"-1500RF	15 7/8"	8 1/2"	7 5/8"
2"-1500RTJ	16	8 1/2"	7 5/8"



1" and 2" Flanged Line Blinds

LB Line Blinds

Dimensional Data 3-Way Line Blinds



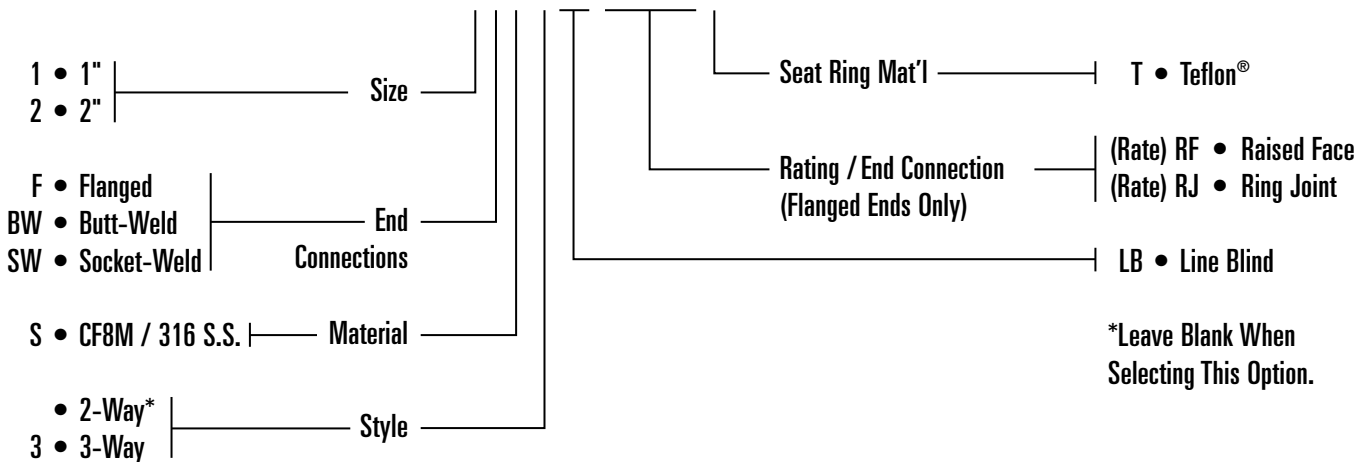
Dimensions

Size/ANSI	A	B	D	J
1"-1500RF	12 3/4"	6"	5 7/8"	5 3/16"
1"-1500RTJ	12 3/4"	6"	5 7/8"	5 3/16"
2"-1500RF	15 5/8"	7 1/4"	8 1/2"	7 5/8"
2"-1500RTJ	15 11/16"	7 5/16"	8 1/2"	7 5/8"

Determining the Model Number

Example given: Model 2FS-3LB-1500RF-T – Series LB, 2" Flanged, Stainless Steel, 3-Way Line Blind with 1500# Raised Face Flange and Teflon® Seat Ring.

MODEL 2FS-3LB-1500RF-T



LB Line Blinds

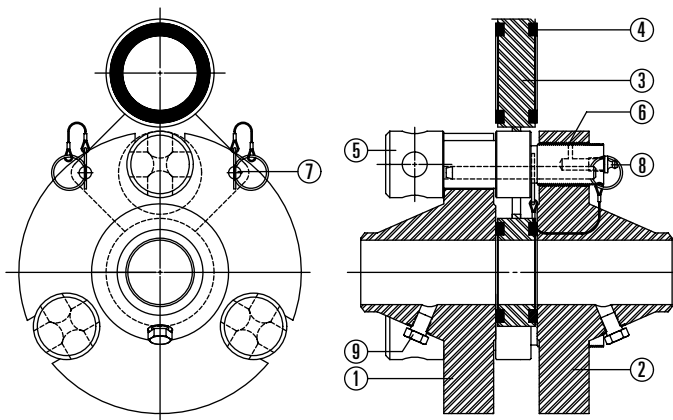
Parts List: 2" Butt-Weld Line Blind

Item	Description	Qty.	Part No.
1	FLANGE, SLOTTED, ASTM A-351 GR. CF3M	1	05012-7663
2	FLANGE, SPREADER, ASTM A-351 GR. CF3M	1	05012-7671
3	GAGE ASSEMBLY, ASTM A-276 TY.316	1	06500-5108
4	PACKING RING, TEFLON®	4	05012-7721
5	SPREADER BOLT, ASTM A-193 GR.B7	3	05012-7689
6	THREAD INSERT, STAINLESS STEEL	3	06000-7203
7	LOCATING PIN, STAINLESS STEEL	2	06000-7355
8	LUBE FITTING, STEEL, PLATED	3	06000-4652
9	PIPE PLUG, 316 STAINLESS STEEL	2	06000-4702
10*	WARNING TAG, ALUMINUM	1	08018-0227
11*	NAME PLATE, ALUMINUM	1	08018-0151

*Not Shown

Model and Part No.

Model No.	Part No.
2BWS-LB-T	03000-7371



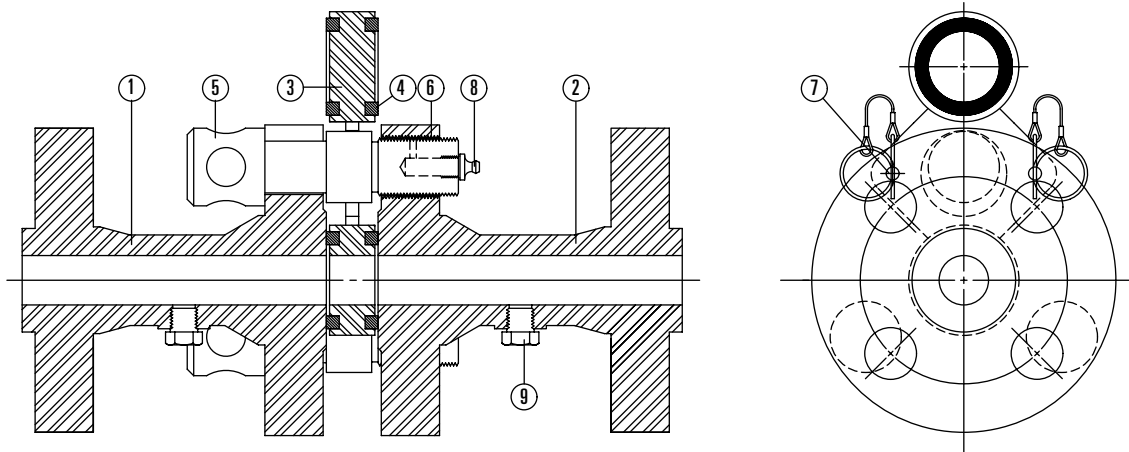
Parts List: 1" and 2" ANSI 1500 Flanged Line Blinds

Item	Description	Qty.	Part No.			
			1"-1500RF	1"-1500RTJ	2"-1500RF	2"-1500RTJ
1	FLANGE, SLOTTED, ASTM A-351 GR.CF8M	1	05012-8235	05012-7986	05012-8425	05012-8010
2	FLANGE, SPREADER, ASTM A-351 GR.CF8M	1	05012-9120	05012-7994	05012-8433	05012-8028
3	GATE, ASTM A-276 TY.316	1	06500-5116		06500-5108	
4	PACKING RING, TEFLON®	4	05012-7754		05012-7721	
5	SPREADER BOLT, ASTM A-193 GR.B7	3	05012-7762		05012-7689	
6	THREAD INSERT, STAINLESS STEEL	3	06000-7294		06000-7203	
7	LOCATING PIN, STAINLESS STEEL	2	06000-7348		06000-7355	
8	LUBE FITTING, STEEL, PLATED	3	06000-4652		06000-4652	
9	PIPE PLUG, 316 STAINLESS STEEL	2	06000-4702		06000-4702	
10*	WARNING TAG, ALUMINUM	1	08018-0227		08018-0227	
11*	NAME PLATE, ALUMINUM	1	08018-0151		08018-0151	

*Not Shown

Model and Part No.

Size/ANSI	Model No.	W.P.	Part No.
1"-1500RF	1FS-LB-1500RF-T	3600 PSIG	03000-7796
1"-1500RTJ	1FS-LB-1500RJ-T	3600 PSIG	03000-7421
2"-1500RF	2FS-LB-1500RF-T	3600 PSIG	03000-7721
2"-1500RTJ	2FS-LB-1500RJ-T	3600 PSIG	03000-7439



LB Line Blinds

Parts List: 1" and 2" 3-Way Line Blinds

Item	Description	Qty.	Part No.			
			1"-1500RF	1"-1500RJ	2"-1500RF	2"-1500RJ
1	FLANGE, SLOTTED, ASTM A-351 GR.CF8M	2	05012-8235	05012-7986	05013-0554	05012-8010
2	FLANGE, TEE, ASTM A-351 GR.CF8M	1	05013-0977	05012-9286	05013-0547	05013-0549
3	GATE, ASTM A-276 TY.316	2	06500-5116		06500-5108	
4	PACKING RING, TEFLON®	8	05012-7754		05012-7721	
5	SPREADER BOLT, ASTM A-193 GR.B7	6	05012-7762		05012-7689	
6	THREAD INSERT, STAINLESS STEEL	6	06000-7294		06000-7203	
7	LOCATING PIN, STAINLESS STEEL	4	06000-7348		06000-7355	
8	LUBE FITTING, STEEL, PLATED	6	06000-4652		06000-4652	
9	PIPE PLUG, 316 STAINLESS STEEL	3	06000-4702		06000-4561	
10	WARNING TAG, ALUMINUM	2	08018-0227		08018-0227	
11	NAME PLATE, ALUMINUM	1	08018-0151		08018-0151	

Model and Part No.

Model No.	W.P.	Part No.
1FS-3LB-1500RF-T	3600 PSIG	03000-8547
1FS-3LB-1500RJ-T	3600 PSIG	03000-7937
2FS-3LB-1500RF-T	3600 PSIG	03000-8333
2FS-3LB-1500RJ-T	3600 PSIG	03000-8339

