

Meter Leveling Saddles

Application

The Meter Level Saddle is an accepted means to support chart recorders on meter runs or as an economical means to support pipe runs.

Features

- Rugged Ductile Iron Construction
- Standard 2" NPT Meter Mount: Fits all Sizes
- Multiple Pipe Sizes: 2", 3", 4", 6" & 8"

Specifications

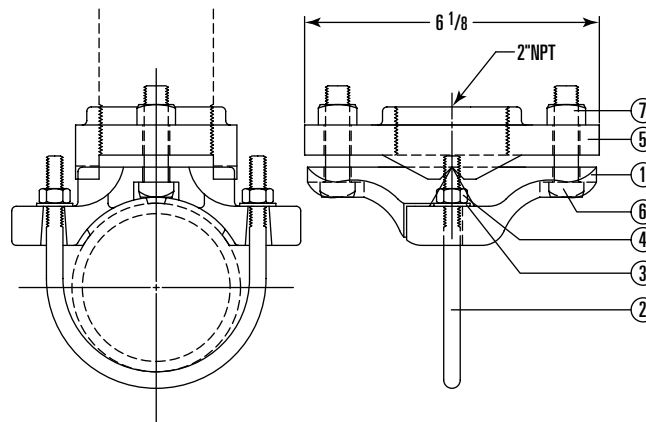
Size 2", 3", 4", 6" and 8"

Materials

Saddle Ductile Iron
 Mount Ductile Iron
 U-Bolt A307 GR. B



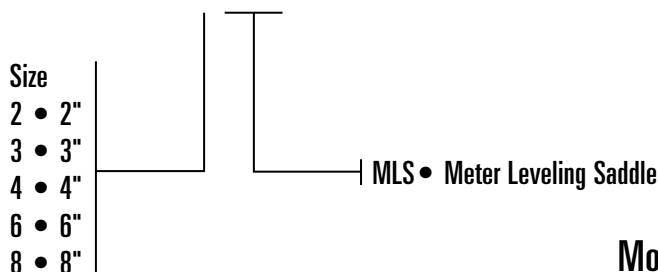
Dimensional Data



Determining the Model Number

Example given: Standard Model 2MLS – Series MLS, 2" Leveling Saddle

MODEL 2 MLS



Model and Part No.

Model	Part No.
2MLS	03000-2687
3MLS	03000-2695
4MLS	03000-2703
6MLS	03000-2711
8MLS	03000-2729

Parts List

Item	Description	Qty.	Part No.				
			2"	3"	4"	6"	8"
1	SADDLE, DUCT. IRON	1	01008-1404	01008-1412	01008-1420	01008-1438	01008-0323
2	U-BOLT, A-307 GR.B	1	05010-4967	01008-1461	01008-1479	01008-1487	01008-1495
3	WASHER, STEEL	2	06000-0718				
4	HEX NUT, A-307 GR.B	2	05000-2104				
5	METER MOUNT, DUCT.IRON	1	05010-0544				
6	SQ. BOLT, A-307 GR.B	2	05000-2211				
7	NUT, A-307 GR.B	2	05000-1999				